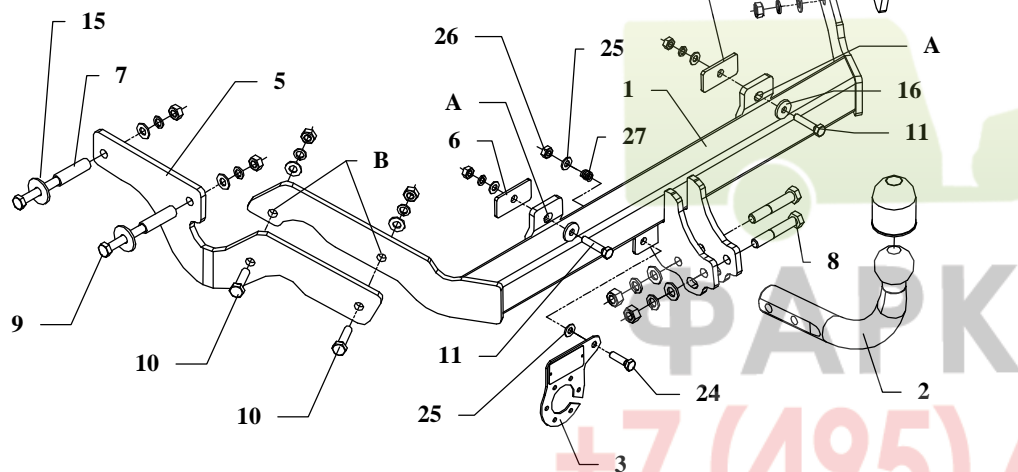


FITTING INSTRUCTION

Clamp mark in acc. with		Cables joining
ISO	PN	
1	L	Left directional lights
2	+	Rear fog lights
3	31	Ground
4	R	Right directional lights
5	58R	Right side parking lights
6	54	Stoplights
7	58L	Left side parking lights



This towbar is designed to assembly in following cars:
CITROEN XSARA PICASSO, produced since 1999 till 2006, catalogue no. **P12** and is prepared to tow trailers max total weight **1300 kg** and max vertical load **80 kg**.

From manufacturer

Thank you for buying our product. Their reliability has been confirmed in many tests. Reliability of towbar depends also on correct assembly and right operation. For this reasons we kindly ask to read carefully this instruction and apply to hints.

The towbar should be install in points described by a car producer.

The instruction of the assembly

1. Take out the spare wheel from the trunk.
2. Get lower the muffler.
3. Slide distance sleeves $\varnothing 15 \times 2 \text{mm}$, $L=52 \text{mm}$ (pos. 7) into original holes in chassis members.
4. Fit loosely side brackets (pos. 4 and 5) to the left and right chassis member as it shown on the drawing.
5. Position the main bar of the towbar (pos. 1) to the rear panel and fit it with bolts M8x40mm (pos. 11) through holes (pos. A) using big washers (pos. 16), then fix the bar to side brackets (pos. 4 and 5) with bolts M10x40mm (pos. 10) through holes pos. B.
6. Fix tow-ball (pos. 2) by bolts M12x70mm (pos. 8) from accessories.
7. Fix the socket plate (pos. 3) as shown on the drawing.
8. Tighten all bolts according to the torque shown in the table.
9. Connect electric wires of 7-poles socket according to the instruction of the car. (Recommend to make at authorized service station)
10. Complete paint layer damaged during installation.

Torque settings for nuts and bolts (8,8):

M6 - 11 Nm	M8 - 25 Nm	M10 - 50 Nm
M12 - 87 Nm	M14 - 138 Nm	M16 - 210 Nm

NOTE

After install the towbar you should get adequate note in registration book (at authorised service station).The car should be equipped with:

- Indicators
- Tow mirrors

After 1000km of exploitation check all bolts and nuts. The ball of towbar must be always kept clear and conserve with a grease.



Towbar accessories:

Pos. 1 Name: Main bar Quantity: 1	Pos. 6 Name: Plate Quantity: 2	Pos. 12 Name: Nut 8 B Quantity: 2 Dim.: M12	Pos. 18 Name: Plain washer Quantity: 8 Dim.: Ø 10,5 mm	Pos. 24 Name: Bolt 8,8 B Quantity: 1 Dim.: M8x30mm
Pos. 2 Name: Tow ball Quantity: 1	Pos. 7 Name: Distance sleeve Quantity: 4 Dim.: Ø15x2mm L=52mm	Pos. 13 Name: Nut 8 B Quantity: 8 Dim.: M10	Pos. 19 Name: Plain washer Quantity: 2 Dim.: Ø 8,5 mm	Pos. 25 Name: Plain washer Quantity: 2 Dim.: Ø 8,5 mm
Pos. 3 Name: Socket plate Quantity: 1	Pos. 8 Name: Bolt 8,8 B Quantity: 2 Dim.: M12x70mm	Pos. 14 Name: Nut 8 B Quantity: 2 Dim.: M8	Pos. 20 Name: Spring washer Quantity: 2 Dim.: Ø 12,2 mm	Pos. 26 Name: Nut 8 B Quantity: 1 Dim.: M8
Pos. 4 Name: Right bracket Quantity: 1	Pos. 9 Name: Bolt 8,8 B Quantity: 4 Dim.: M10x90mm	Pos. 15 Name: Washer Quantity: 4 Dim.: Ø35xØ12x3mm	Pos. 21 Name: Spring washer Quantity: 8 Dim.: Ø 10,2 mm	Pos. 27 Name: Spring Quantity: 1
Pos. 5 Name: Right bracket Quantity: 1	Pos. 10 Name: Bolt 8,8 B Quantity: 4 Dim.: M10x40mm	Pos. 16 Name: Washer Quantity: 2 Dim.: Ø24xØ9x3mm	Pos. 22 Name: Spring washer Quantity: 2 Dim.: Ø 8,2 mm	
	Pos. 11 Name: Bolt 8,8 B Quantity: 2 Dim.: M8x40mm	Pos. 17 Name: Plain washer Quantity: 2 Dim.: Ø 13 mm	Pos. 23 Name: Ball cover Quantity: 1	

Towing hitch (without electrical set)

Class: A50-X Cat. no. P12

Designed for:

Manufacturer: CITROEN

Model: XSARA PICASSO

produced since 1999 till 2006

Technical data:

D-value: 7,49 kN

maximum trailer weight: 1300 kg

maximum vertical cup load: 80 kg

Approval number acc. to regulations EKG/ONZ 55.01: E20-55R-01 0729

Foreword

This towbar is designed according to rules of safety traffic regulations. The towing hitch is a safety component and can be installed only by qualified personnel. Any alteration or conversion of the towing hitch is prohibited and would lead to cancellation of design certification. Remove insulating compound and underseal from vehicle (if present) in the area of the mating surfaces of the towing hitch.

The vehicle manufacturer's specifications regarding trailer load and max. vertical cup load are decisive for driving, and values for the towing hitch cannot be exceeded.

D-value formula:

$$\frac{\text{Max trailer weight [kg]} \times \text{Max vehicle weight [kg]}}{\text{Max trailer weight [kg]} + \text{Max vehicle weight [kg]}} \times \frac{9,81}{1000} = D \text{ [kN]}$$